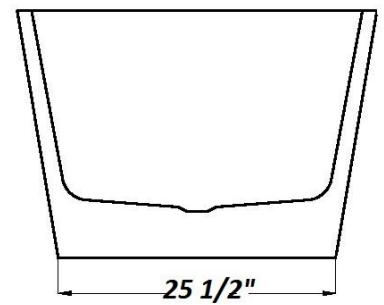
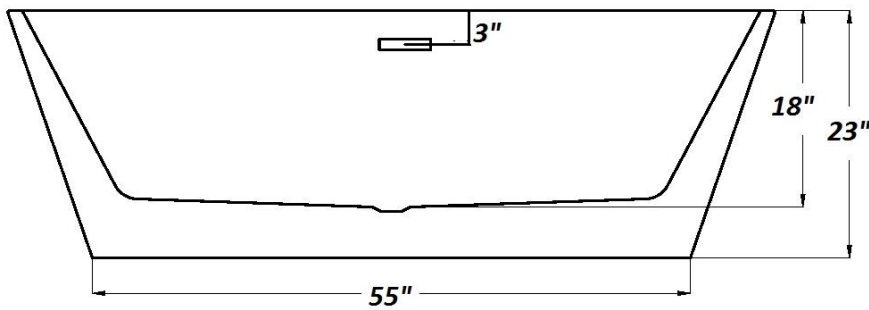
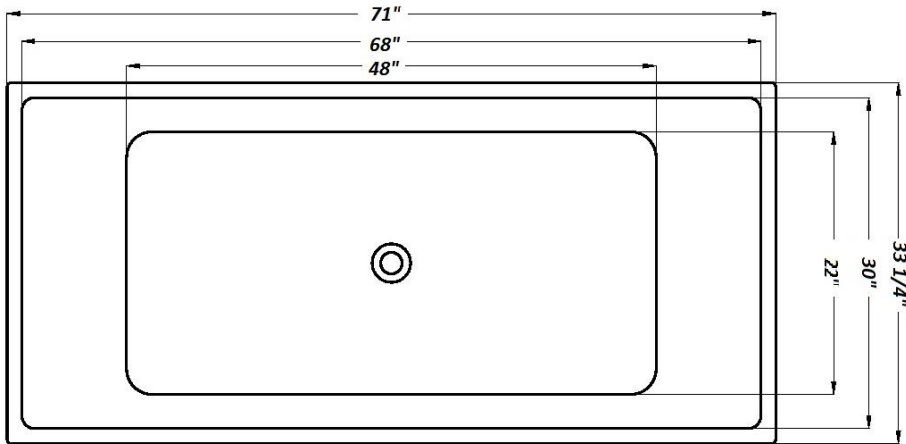




STROM
L I V I N G

Ph: (916) 638-2722 / Fax: (916) 638-2725

Tub Specifications – P1106 Acrylic Soaking Tub



**The Overflow channel is molded into the interior tub wall. Drain is included.
Please use a bead of silicone around the base of the tub to provide a seal between the tub and the floor,
and to prevent the tub from moving.**